

# Technical data sheet

## Product features



### Slicer gear, blade 275 mm teflon

<b>Model</b>	<b>SAP Code</b>	00014117
--------------	-----------------	----------



- Blade type: Teflon
- Blade diameter [mm]: 275
- Cutting thickness [mm]: 0 - 14
- Useful Cut [mm]: 230 x180
- Transfer type: Snail
- Material: Aluminium
- Safety cover: transparent plexiglass
- Safety element: motor with fan and overheating protection  
stainless steel blade  
guard  
transparent finger protection
- Suitable consumer: suitable for catering operations
- Table position: Oblique
- On/Off button: Yes
- Continuous work limit: running time without limitation

<b>SAP Code</b>	00014117	<b>Loading</b>	230 V / 1N - 50 Hz
<b>Net Width [mm]</b>	535	<b>Blade type</b>	Teflon
<b>Net Depth [mm]</b>	425	<b>Blade diameter [mm]</b>	275
<b>Net Height [mm]</b>	400	<b>Cutting thickness [mm]</b>	0 - 14
<b>Net Weight [kg]</b>	18.00	<b>Useful Cut [mm]</b>	230 x180
<b>Power electric [kW]</b>	0.220		

# Technical data sheet

Technical drawing



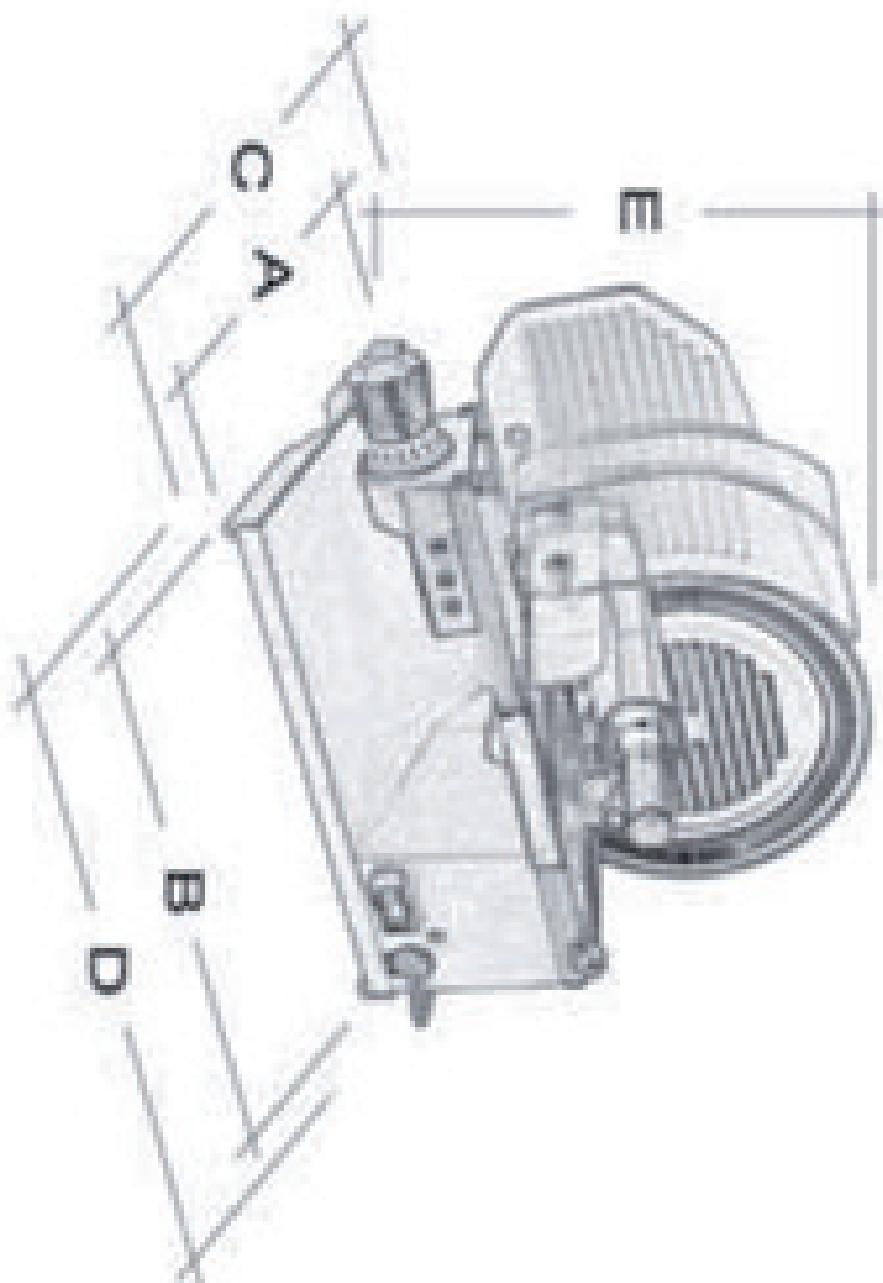
Slicer gear, blade 275 mm teflon

Model

SAP Code

00014117

Model	A	B	C	D	E
GMS 220	275	375	380	445	370
GMS 250	275	430	425	525	380
GMS 275 XL	350	490	480	510	400
GMS 300	350	490	480	580	515



# Technical data sheet

Technical parameters



## Slicer gear, blade 275 mm teflon

Model

SAP Code

00014117

**1. SAP Code:**

00014117

**2. Net Width [mm]:**

535

**3. Net Depth [mm]:**

425

**4. Net Height [mm]:**

400

**5. Net Weight [kg]:**

18.00

**6. Gross Width [mm]:**

610

**7. Gross depth [mm]:**

530

**8. Gross Height [mm]:**

560

**9. Gross Weight [kg]:**

25.00

**10. Device type:**

Electric unit

**11. Material:**

Aluminium

**12. Power electric [kW]:**

0.220

**13. Loading:**

230 V / 1N - 50 Hz

**14. Control type:**

Mechanical

**15. Safety cover:**

transparent plexiglass

**16. Safety element:**

motor with fan and overheating protection  
stainless steel blade  
guard  
transparent finger protection

**17. Suitable consumer:**

suitable for catering operations

**18. Engine protection:**

fan and overheating protection

**19. Adjustable feet:**

Yes

**20. Main switch:**

Yes

**21. Transfer type:**

Snail

**22. Blade type:**

Teflon

**23. Blade diameter [mm]:**

275

**24. Useful Cut [mm]:**

230 x180

**25. On/Off button:**

Yes

**26. Continuous work limit:**

running time without limitation

# Technical data sheet

Technical parameters



Slicer gear, blade 275 mm teflon

Model

SAP Code

00014117

**27. Removable moving table:**

Yes

**28. Anti-adhesive blade treatment:**

Yes

**29. Table position:**

Oblique

**30. Blade cover material:**

Stainless steel

**31. Sharpening device:**

Additional included in the price

**32. Blade hardness:**

58-59 HRC

**33. Cutting thickness [mm]:**

0 - 14

**34. Cross-section of conductors CU [mm<sup>2</sup>]:**

0,5

- Výkon (kW): 2,4-3,3 (230 V)